

PEDESTAL ROLLER  
FAIRLEAD

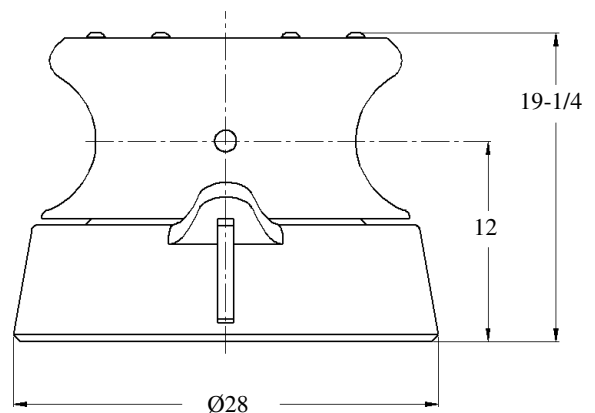
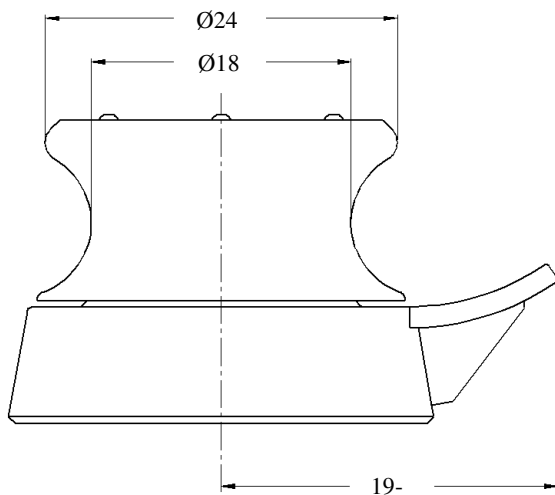
**PFH-18**

#### STANDARD FEATURES

- Designed for Maximum SWL of 150MT per OCIMF Recommendations
- Heavy Duty Cast Steel Construction
- Grease Lubricated Bronze Bearings
- Heat Treated Roller for Longer Life
- Weld Down Mounting Base
- Epoxy Primer Coating

#### OPTIONAL FEATURES

- Customized Design to Suit Your Application
- Custom Mounting Bases
- Three Coat Marine Paint System
- Third Party Certification



WEIGHT: 1,056 LBS

\* DIMENSIONS SUBJECT TO CHANGE WITHOUT NOTICE\*

## Rasmussen Equipment Company

415 S. Cloverdale St. Seattle, WA 98108  
Tel: 206-762-3700

2220 Engineers Rd Belle Chasse, LA 70037  
Tel: 504-392-0442

E-mail: [info@RasmussenCo.com](mailto:info@RasmussenCo.com) Web: [www.RasmussenCo.com](http://www.RasmussenCo.com) Toll Free: 800-227-7920